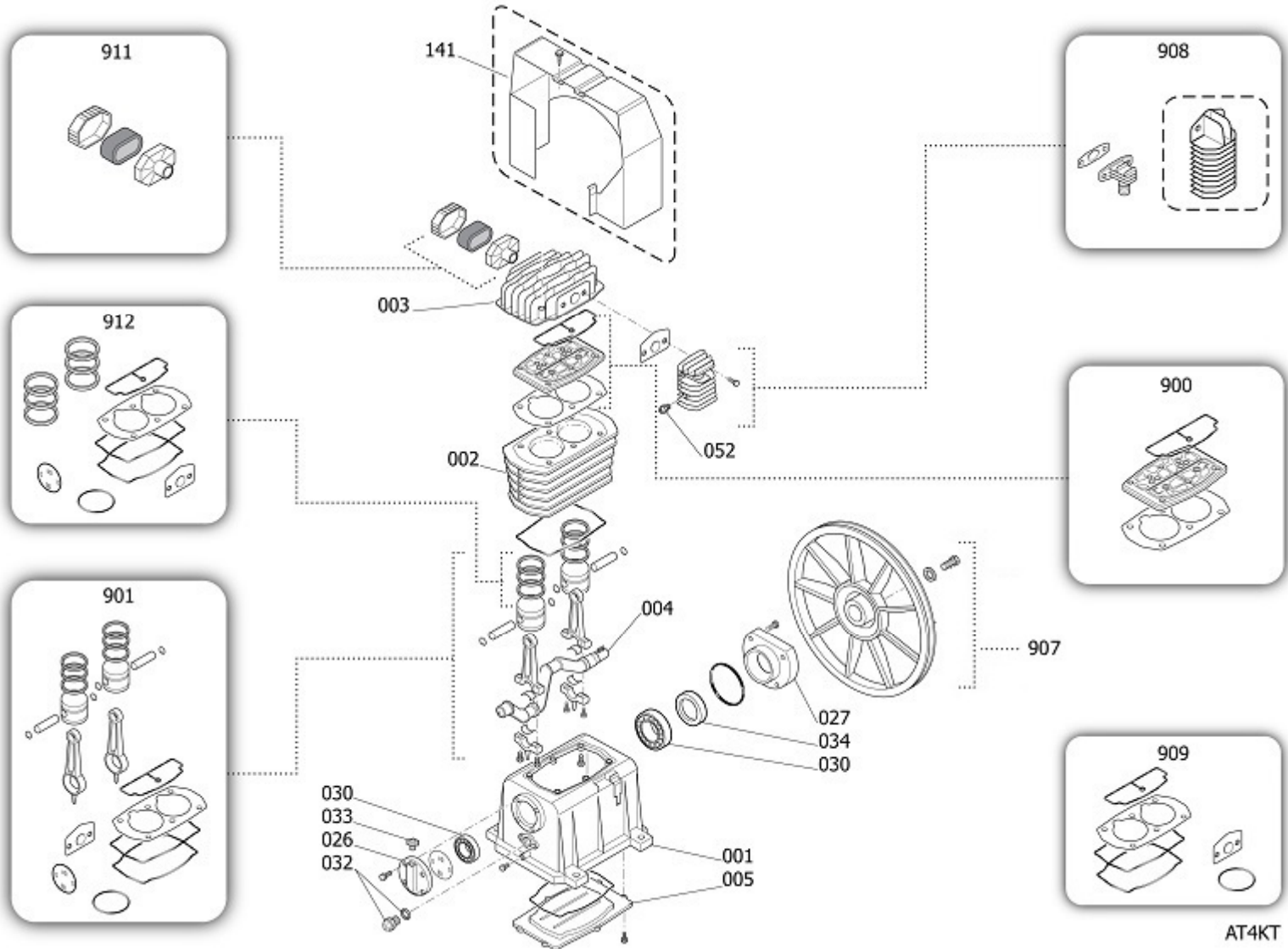


| Pos | Component | MU | Multiplier |
|-----|----------------------------------|----|------------|
| 104 | 9084055 GRIP | PZ | 1,0 |
| 105 | 9048007 CHECK VALVE | PZ | 1,0 |
| 106 | 4100811 LINE COCK | PZ | 1,0 |
| 106 | 9047020 LINE COCK | PZ | 1,0 |
| 107 | 9047079 CONDENSATE DRAIN COCK | PZ | 1,0 |
| 108 | 9051143 PRESSURE REDUCER | PZ | 1,0 |
| 109 | 9052202 PRESSURE GAUGE | PZ | 1,0 |
| 109 | 9052203 PRESSURE GAUGE | PZ | 1,0 |
| 110 | 9049304 RELIEF VALVE | PZ | 1,0 |
| 112 | 4100629 NIPPLE/ELBOW | PZ | 1,0 |
| 125 | 9076008 PULLEY | PZ | 1,0 |
| 126 | 9075001 POLY V BELT | PZ | 1,0 |
| 131 | 9063268 COMPLETE PRESSURE SWITCH | PZ | 1,0 |
| 132 | 9065874 POWER CABLE | PZ | 1,0 |
| 135 | 846S0CA MOTOR | PZ | 1,0 |
| 142 | 834150C BELT GUARD | PZ | 1,0 |
| 145 | 9043848 DELIVERY PIPE | PZ | 1,0 |
| 200 | 41P0028SGL BARE PUMP | PZ | 1,0 |
| 300 | 9421704 WHEELS/FEET MOUNTING KIT | PZ | 1,0 |



AT4KT

| Pos | Component | MU | Multiplier |
|-----|----------------------------------|----|------------|
| 1 | #113164007 CASING | PZ | 1,0 |
| 2 | 4105310SGL CYLINDER | PZ | 1,0 |
| 3 | 4105480 HEAD | PZ | 1,0 |
| 4 | #113164012 SHAFT | PZ | 1,0 |
| 5 | #013164008 CASING COVER | PZ | 1,0 |
| 26 | #113141006 FRONT COVER | PZ | 1,0 |
| 27 | 4105575 CASING REAR SUPPORT | PZ | 1,0 |
| 30 | #033015000 6206.P6.C0.V2.Z2.ROHS | PZ | 1,0 |
| 30 | 9170116 6205.C0.P6.V2.Z2.ROHS | PZ | 1,0 |
| 32 | #012031000 OIL LIGHT | PZ | 1,0 |
| 33 | #012047000 OIL PLUG | PZ | 1,0 |
| 34 | #010008000 SEAL | PZ | 1,0 |
| 52 | 4101047 EXHAUST VALVE | PZ | 1,0 |
| 141 | 4105557 CANALISATION | PZ | 1,0 |
| 900 | 9434A02 MPK VALVE PLATE MK113 | PZ | 1,0 |
| 901 | 9434B03 MPK PISTON-CONROD MK113 | PZ | 1,0 |
| 907 | 9434Y12 FLYWHEEL KIT | PZ | 1,0 |
| 908 | 9434E03 MPK AFTERCOOLER MK113 | PZ | 1,0 |
| 909 | 9434F02 MPK GASKET MK113 | PZ | 1,0 |
| 911 | 4105290 AIR FILTER KIT | PZ | 1,0 |
| 912 | 9434C03 MPK PISTON RINGS MK113 | PZ | 1,0 |